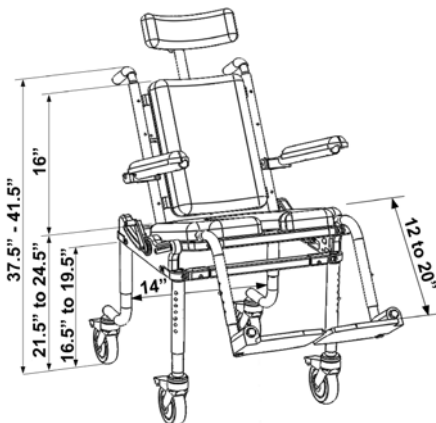


INNOVATIVE PRODUCTS FOR SENIORS AND PEOPLE WITH DISABILITIES


MULTICHAIR 4000Tilt Pediatric 1

MULTICHAIR 4000Tilt Pediatric 2


43.5" overall depth at maximum tilt

4000Tilt PED

* Illustration Pediatric 2 sizing. Refer to sizing chart on page 21 for more detail.

With an exclusive “grow” feature, the 4000Tilt Pediatric can stay with the same user from early youth all the way through adulthood, by simply updating the seat cushion and backrest, saving thousands in replacement costs over the years. And with NuprodX’ exclusive tilt mechanism with Center-of-Mass design, the lightweight, caster-wheeled chair easily maneuvers around the smallest of bathrooms.

Features

- The modular base allows the size of the seating area to be up- or down-sized by only changing the backrest and seat cushion, for two chair sizes, early youth and teen, so you never need to upgrade the chair--saving you \$1,000s over time
- Tilt-in-Space system controlled by a rack-and-pinion hand crank for easy caregiver / user adjustment of tilt angle. Lever can be mounted to either side for left- or right-hand side operation
- Padded urethane cushions with 1/2” waterfall-style foam ring around the commode opening and slot help protect the ischial and coccyx areas to reduce risk of pressure sores
- Adjustable padded headrest
- Cantilever fold-back / locking padded chair arms
- Seat height adjusts from 20-1/2” to 24-1/2” (easily fits over the highest toilets required by the ADA).
- Swing-away / removable push handles
- Adjustable swing-away footrests
- Four 5” casters with total-lock brakes
- Center-of-Mass design allows for a short depth (32” upright / 42.5” at full-tilt), making it the ideal for smaller bathrooms
- Won't rust or corrode—constructed of aircraft grade aluminum, brass, stainless steel and plastic.

Specifications

- Approximate weight: 38 lbs.
- Weight capacity: 300 lbs.
- Back rest angle is 30° from vertical at full tilt.
- Passed ANSI/BIFMA X5.1 test performed by Gaynes Labs, Inc. (a national testing laboratory). Weights of 250 lbs. and 300 lbs. were dropped on the chair, with no structural breakage or loss of serviceability