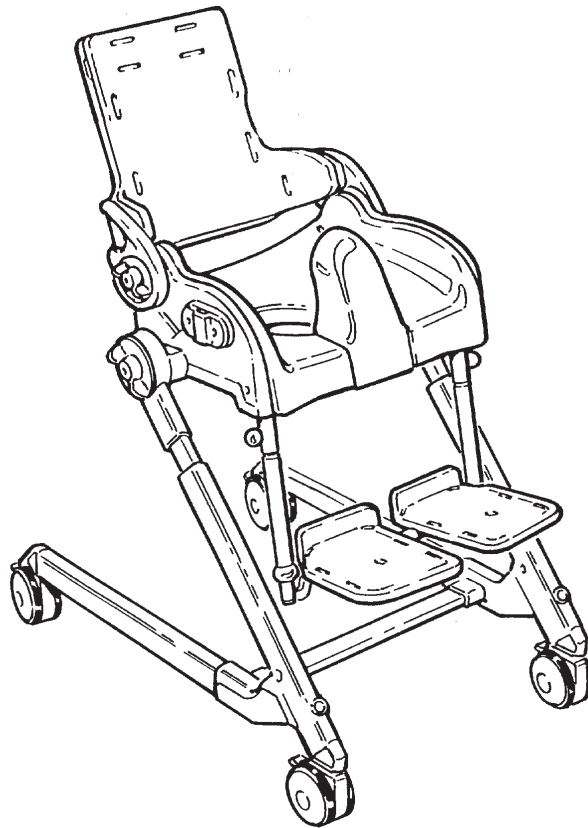


Flamingo[™]

English user manual

GB CONTENTS

Safety	4
Warranty	4
Maintenance	4
Flamingo ready for use.....	5
Angling the seat and back.....	6
Height adjustment of the Flamingo.....	7
Adjustable footrests	8
Side supports.....	9
Head support.....	10
Push brace	11
Armrest / tray	12
Commode pan	13
Upholstery and splashguard.....	14
Vest / crossvest	15
Foot straps.....	15
H-strap / hipstrap	16
Calf support	17
Dismounting the seat.....	18
Mounting or replacement of the bar.....	18
Mounting the seat on a toilet	19
Flamingo as bathing seat	20
Folding the Flamingo	21
Product identification	22
Measurements.....	23
Technical data.....	24
Producer	24
Distributor	24
Care and maintenance	25
Troubleshooting.....	25



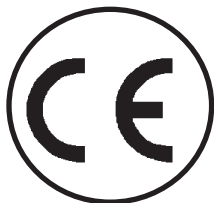
GB FLAMINGO

Choosing the Flamingo, we are sure you have got a toilet-/bathing seat, which will live up to any expectation one can have to a modern aid, for children in the age of 2 to 13 years.

The Flamingo is designed to make the toilet-/bathing situation as pleasant and comfortable for both the child and adult.

Use the Flamingo as bathing chair, toilet seat or bathing seat. Bring the Flamingo on a journey and get fully advantage of the numerous features the Flamingo offers.


This user manual is meant as an assistance to have full benefit of the many possibilities offered by the Flamingo. Therefore we recommend to go through this manual before Flamingo is put into service.




GB SAFETY


Flamingo has earned the CE-mark. This certifies that it meets all relevant European safety requirements.

The durability of this product is 5 years when it is used on a daily basis. Hereafter the product must be renovated (by R82 personnel) to extend the lifetime.

 Remove the CE-mark, when rebuilding the product or when using other than original R82 spare parts and fittings..

 Never leave your child unattended in this product. Ensure constant supervision by an adult. Incorrect use of the product, may cause serious injury to the user. Ensure that the belt is securely fixed to the product before every use.

 The chair is constructed for one user only. Do not place more than one user in the chair.


 The latest version of the manual is always available online: www.R82.com


GB WARRANTY

R82 offers a 2-year warranty against defects in workmanship and materials. The warranty would be adversely affected if the customer's responsibility of servicing and/or daily maintenance is not carried out according to the guidelines and intervals prescribed by the supplier and/or stated in the manual. For further information, we refer to the R82 homepage/download. The warranty can only be sustained if the R82 product is in use in the same country where it was purchased and if the product can be identified by the serial number. The warranty does not cover accidental damage, including damage caused by misuse or neglect. The warranty does not extend to non-durable parts, which are subject to normal wear and tear and need periodic replacement. The warranty is null and void if non-original R82 parts/accessories are used, or if the product is repaired or altered by anyone other than an authorised R82 representative or by trained personnel officially recognised by R82 for repair and maintenance of R82 products. R82 reserves the right to inspect the product being claimed for and the relevant documentation before agreeing to the warranty claim, and to decide upon whether to replace or repair the defective product. It is the customer's responsibility to return the item being claimed for under warranty to the address of purchase. The warranty is given by R82 or, subsequently, an R82 dealer.

GB MAINTENANCE

The Flamingo functions without any maintenance. Yet, the frame need to be wiped over frequently.

 Do not use any cleaning materials containing chlorine or methylated spirit.


 Use a concentrate of acetic acid if calcareous deposits turn into a problem. Rinse out 10-15 minuts with clean water.

 Adjustments which are not described in this manual, must only be made by authorized R82 personnel.

GB FLAMINGO READY FOR USE


The Flamingo is delivered folded so that it takes up the minimum of room during transport. Unpack the Flamingo.

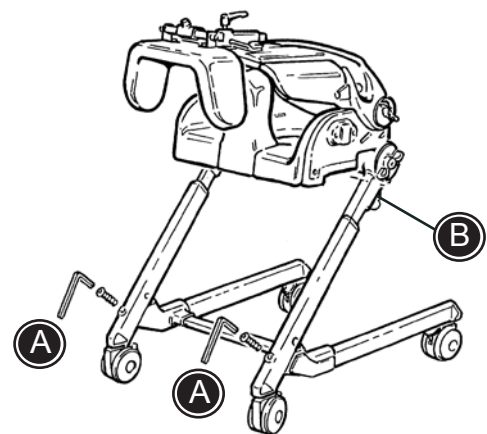
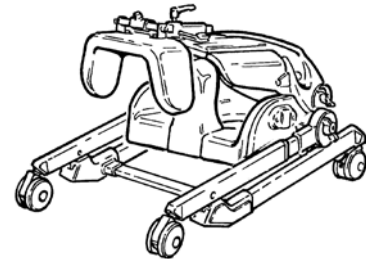
Unfold the frame and fit the struts at point (A) using screws.

 You will find the struts and screws in a plastic bag at the top of the back support.

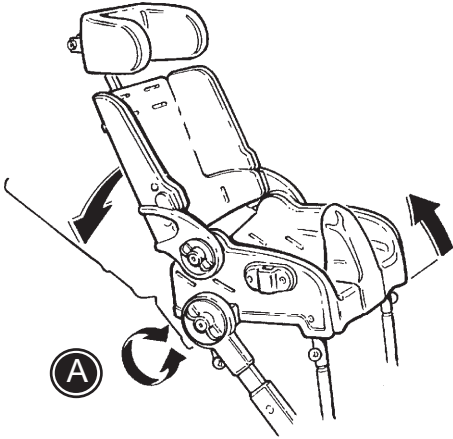
Release the green safety lock (B) under the seat and select the desired angle.

The Flamingo is now ready to use.

 On delivery the Flamingo chair is provided with 75 mm wheels with a locking device. The wheels can be replaced with 100 mm wheels which can be ordered as an extra kit.



1



GB

ANGLING THE SEAT AND BACK

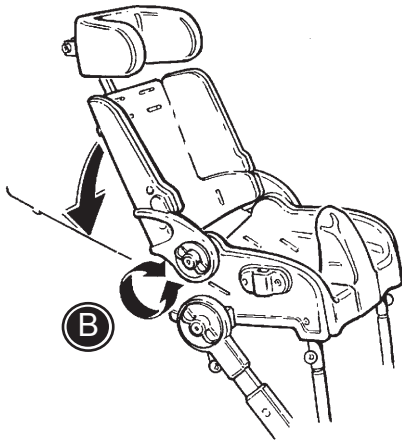
1) Angling the seat:

Loosen the handles (A) at both sides to angle the complete seat unit.

2) Angling the back:

Loosen the handles (B) at both sides to angle the back individually.

2



Do not activate the green security nuts under the seat to adjust the angle. The security nuts is only to be used when folding the Flamingo.



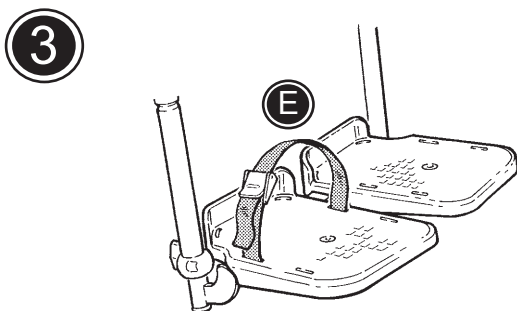
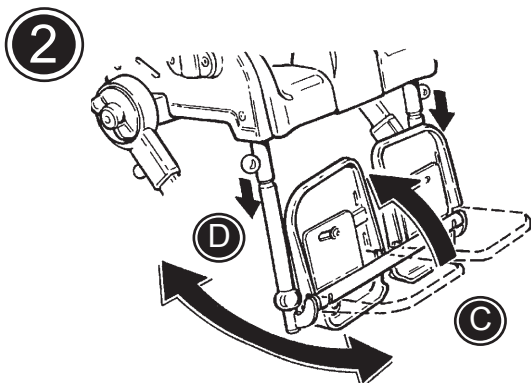
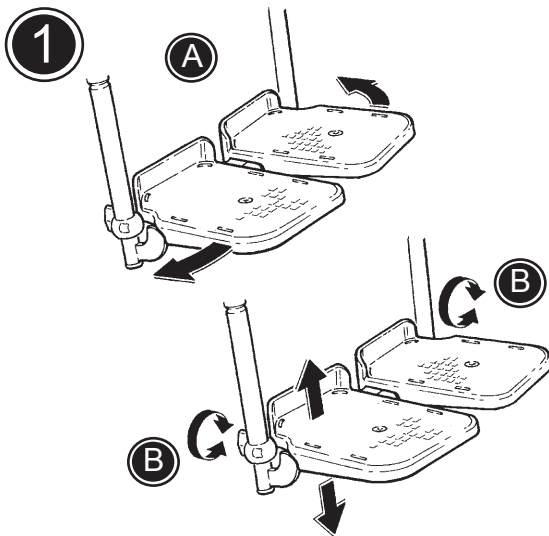
Make sure that the grips on either side of the chair are tightened.

GB HEIGHT ADJUSTMENT OF THE FLAMINGO

Unscrew the screws at the top of the lower frame (A) and pull the frame from the seat until you have the height you desire.

The screw hole must be aligned with a corresponding hole on the inside of the frame before you begin to screw the screws back in place. Tighten the screws.






GB ADJUSTABLE FOOTRESTS

1) The footplates can be adjusted to the wanted angle and position (A). The footplates are individually height adjustable. Loosen the wing screw (B) on the footsupport bar and adjust the height.

2) Angle the complete footrest unit:

- * Tip up the footplates to vertical position (C)
- * Pull down the green security nuts (D) below the seat and angle the footrest unit forwards or backwards.

3) Footstraps can be mounted on the footplates (E)

 Remove the commode pan, if any, to tip up the footrest unit.

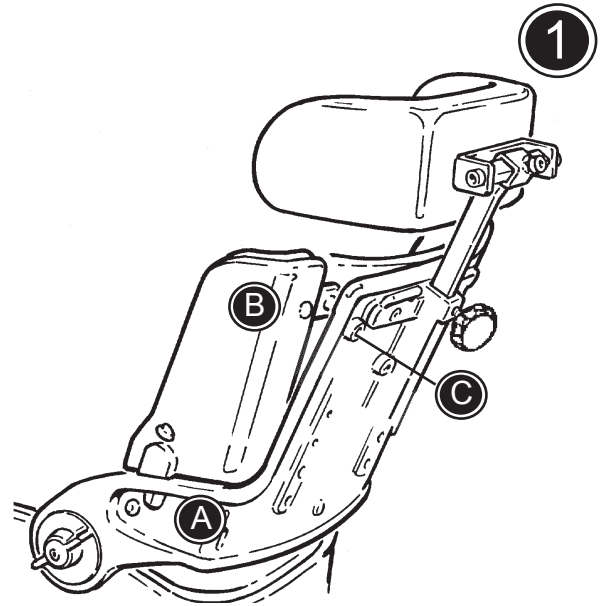
GB SIDE SUPPORTS

1) Fixed side supports:

Follow the below to mount the side supports correct:

- * Place the side support in the groove as shown (A)
- * Push the side support in place behind the upholstery (B)
- * Fasten the side support with a Allen screw (C)

Remove the Allen screw to dismount the side support. Then press on the back and twist the side support away.

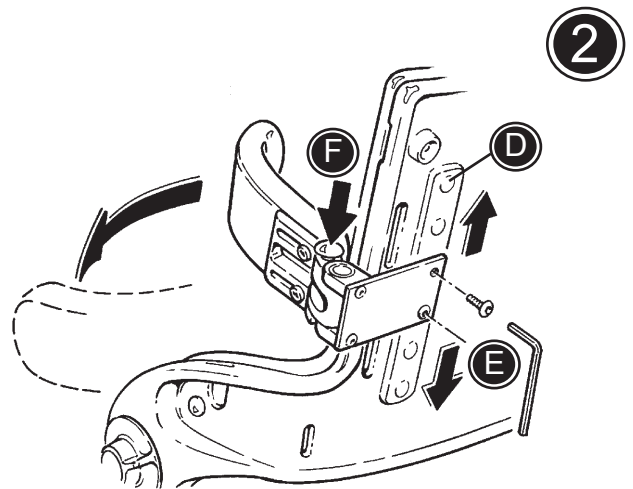


2) Swing-away side supports:

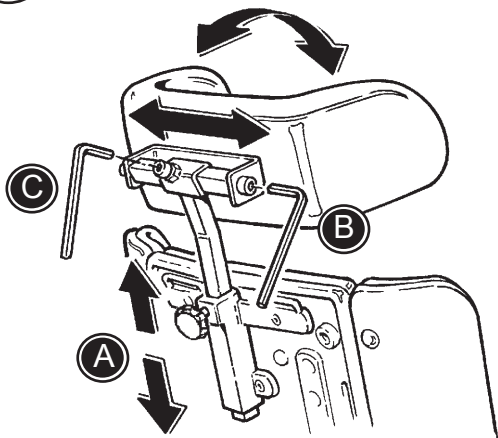
Mount the swing-away side supports in the holes in the back.

- * Dismount the white plugs from the holes (D)
- * Place the side support in the wanted height and fasten with two Allen screws (E)
- * Adjust the height by moving the side support to other holes in the back.

Press down the red nut (F) and the side support swing away.



1

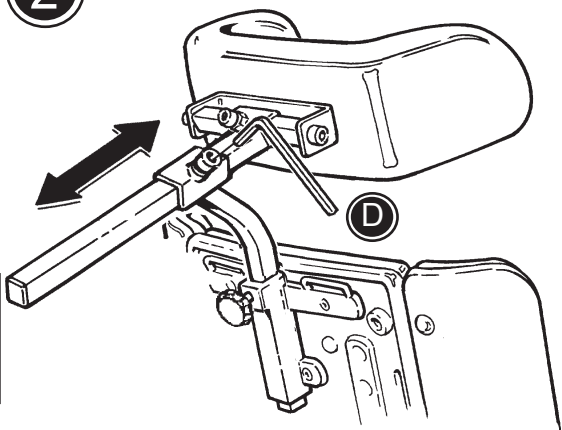


GB HEAD SUPPORT

1) The head support is mounted in the fitting on the back. Use the handle (A) to adjust the height. Use the Allen key to angle (B) and adjust the head support from side to side (C).

2) Replace the head support bar with a swan-neck bar, when support further ahead is needed. Use the Allen key to adjust the depth (D).

2

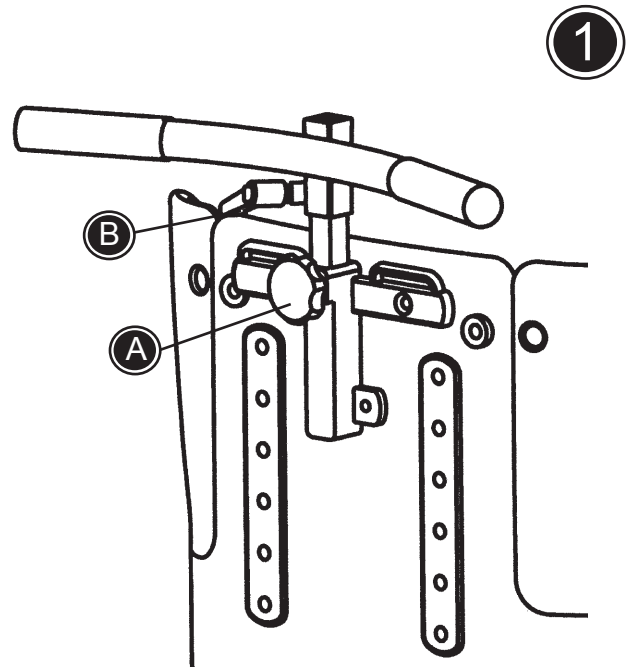


GB PUSH BRACE

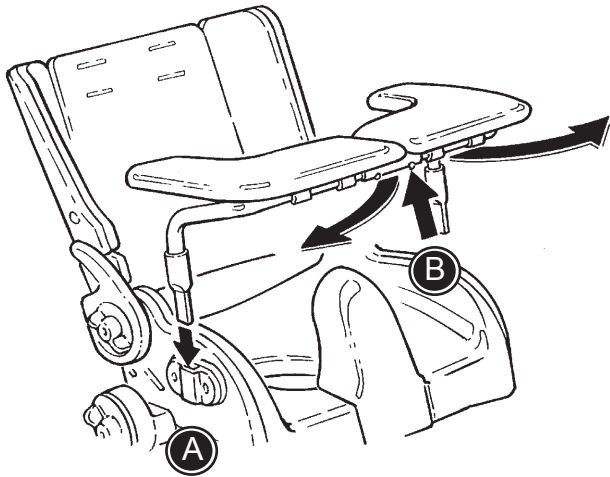
1) The Flamingo can be equipped with push brace.

Mount the push brace in the fitting on the back of the chair and fasten with the handle (A).

Loosen the handle (B) to adjust the height of the push brace.



1



GB ARMREST / TRAY

1) The armrest/tray easily swing away when the child is to be placed.

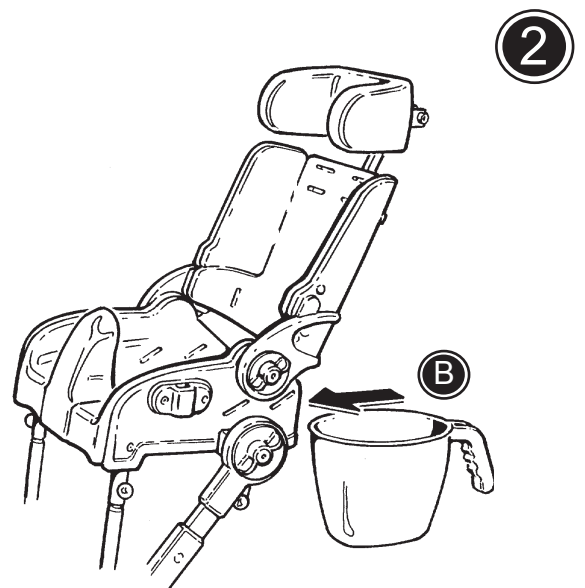
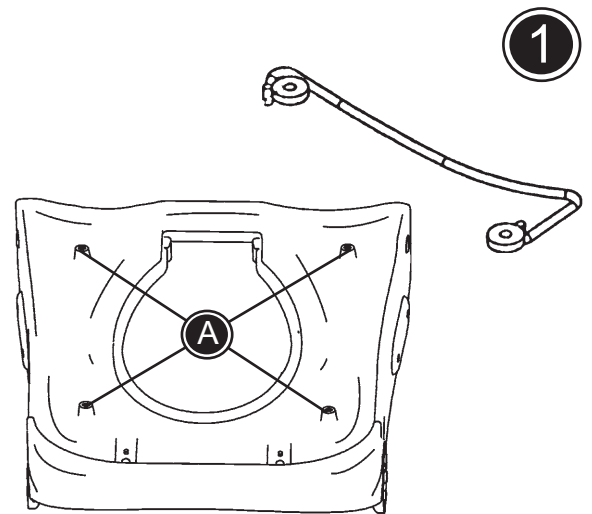
* The tray is mounted in the fittings on both sides (A).

* Open the fitting below the tray, to swing-away the armrest/tray (B).

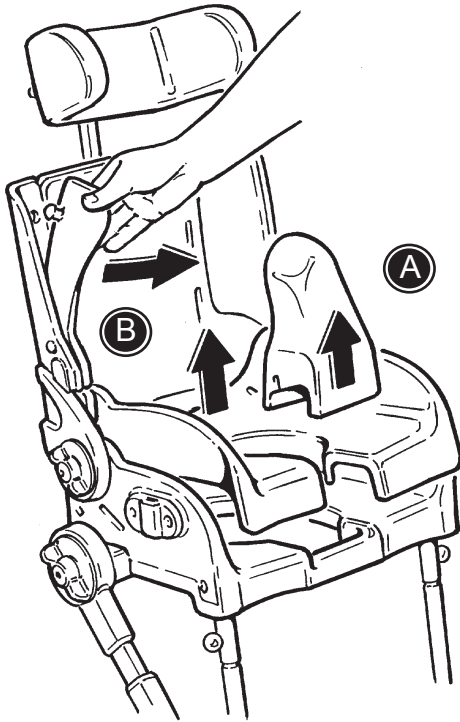
GB COMMUNE PAN

The Flamingo can be equipped with an easily removeable commode pan. Mount holders beneath the seat to be able to mount the commode pan.

- 1) Use Allen screws to mount the two holders in the holes (A) beneath the seat.
- 2) The commode pan is mounted under the seat, from the back of the chair (B).



1




GB UPHOLSTERY AND SPLASHGUARD

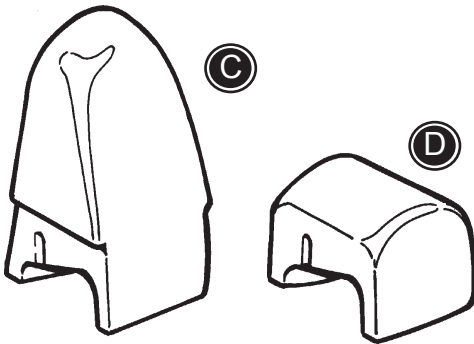
1) The upholstery and splashguard is very easy to dismount, for instance when cleaning the chair.

- * Lift up and remove the splashguard (A)
- * Remove the upholstery (B) by pressing/pulling the knobs out of the holes in the chair.

2) The splashguard is available in two versions; high model (C) and low model (D)

 Do not use any cleaning materials containing chlorine.

2




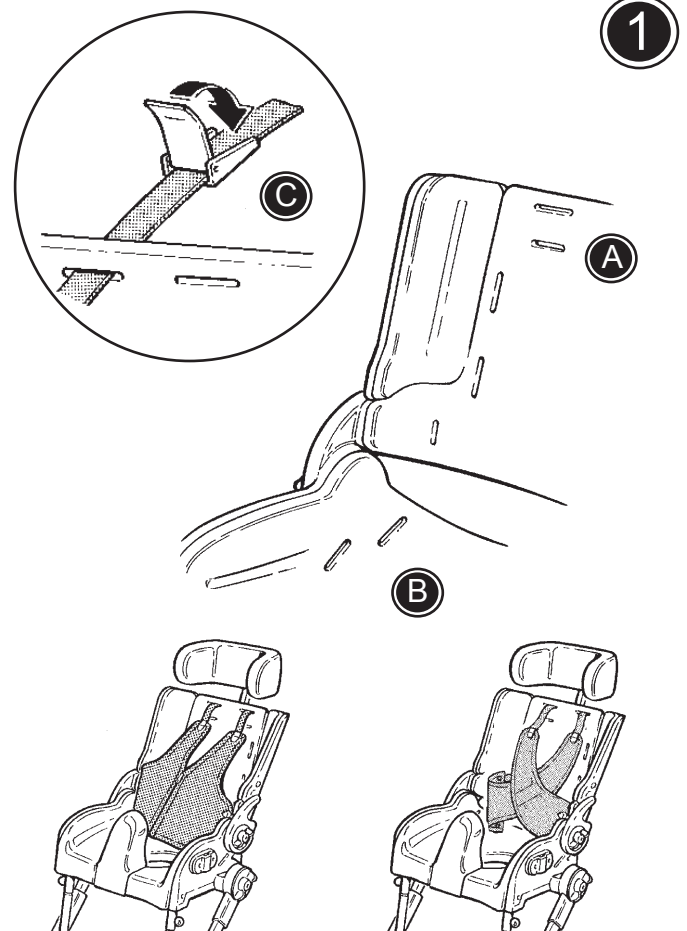
GB

GB VEST / CROSSVEST

1) Mounting the vest / crossvest:

- * Mount the shoulder straps through the holes in the back (A).
- * Mount the side straps through the holes in the seat (B).
- * Fasten the straps with snap-locks buckles (C) on the back.

 Take care that all the fixations and adjustments are placed and fitted correctly and check it on a regular basis.




G
B

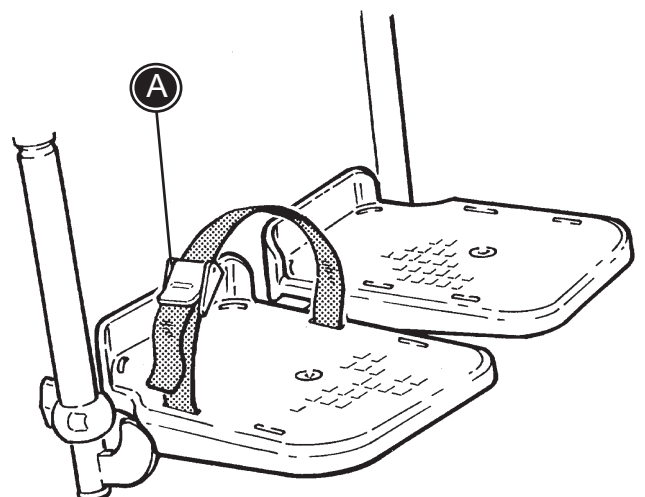
GB FOOT STRAPS

The foot straps can be opened and closed by using the velcro or the buckle (A).

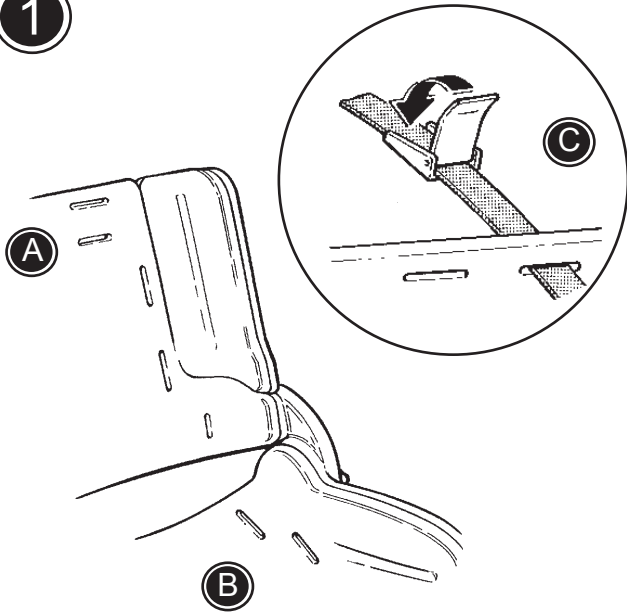
Follow the instructions below for mounting.

- * Open the straps and pull them (A) through the slides in the foot plates.
- * Close the straps around the users foot.

 Take care that all the fixations and adjustments are placed and fitted correctly and check it on a regular basis.



1



GB H-STRAP / HIPSTRAP

1) Mounting the H-strap / Hipstrap:

- * Mount the shoulder straps (H-strap) through the holes in the back (A).
- * Mount the side straps through the holes in the seat (B).
- * Fasten the straps with snap-locks buckles (C) on the back.

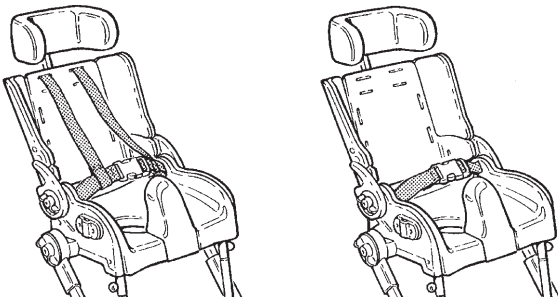
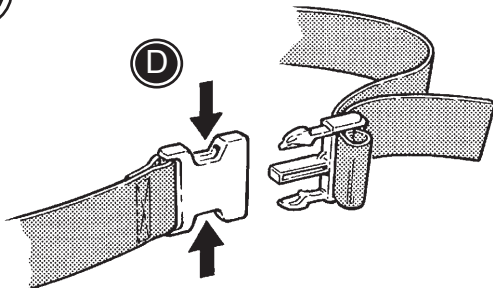
2) Gather the straps in the snap-lock buckle in front and adjust the length. Open the buckle



pressing as shown (D).

Take care that all the fixations and adjustments are placed and fitted correctly and check it on a regular basis.

2

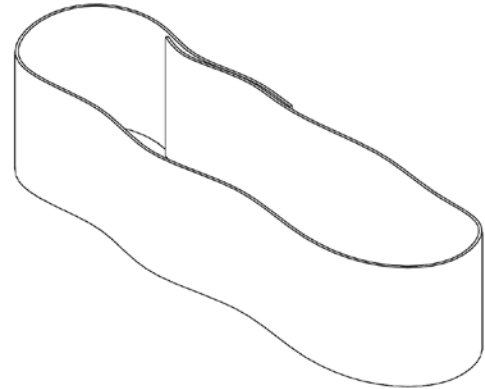



GB CALF SUPPORT

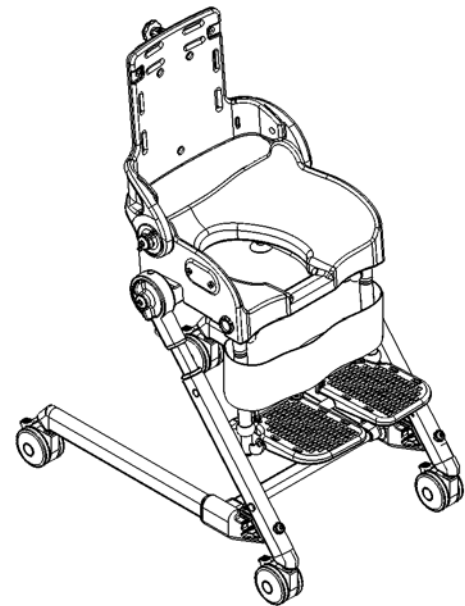
To support the calves and to prevent the child getting its feet trapped behind the foot support, you can mount a calf support.

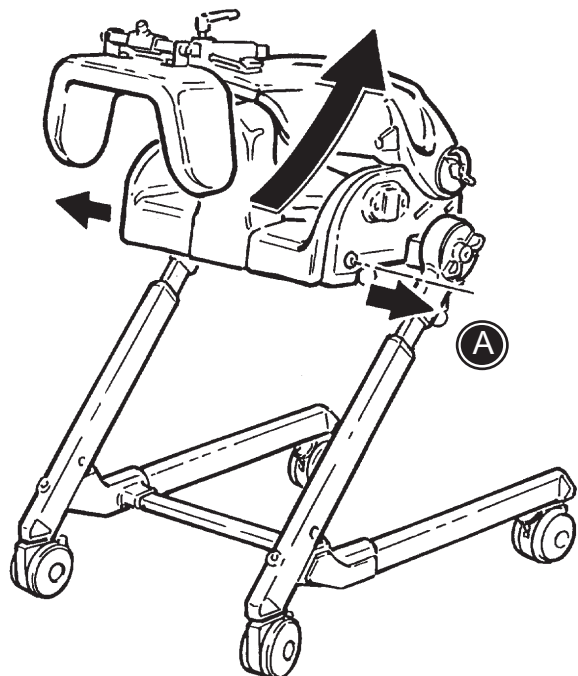
Mounting a calf support:

Open the calf support and tighten it around the foot support bars on the flamingo. Then you can fasten the calf support with the velcro to the required tension.



 Do not tighten the calf support so much, that the foot support bars bends.






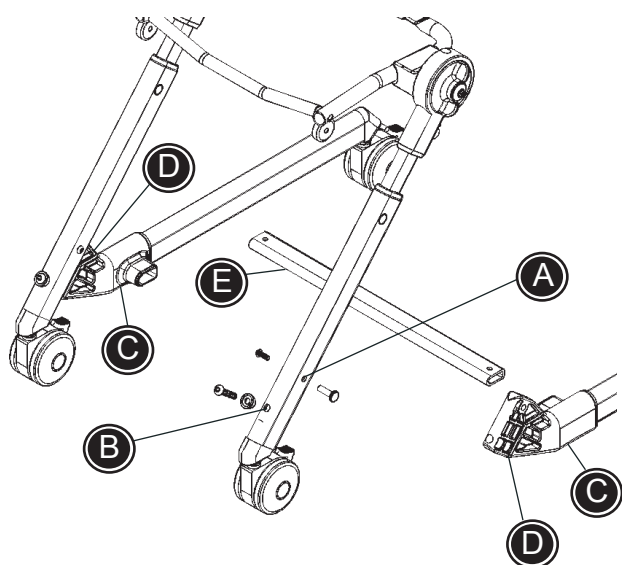
GB DISMOUNTING THE SEAT

Another unique feature of the Flamingo is the seat. It can be removed from the frame and mounted on a standard toilet or used in an ordinary bathtub.

Remove the screws (A) on both sides of the chair, to dismount the seat. Then, tip the seat unit backwards to remove it.

 Remove the child before dismounting the seat.

GB MOUNTING OR REPLACEMENT OF THE BAR




1) Dismount the screw and the bushing (A) along with the screw and the washer (B) in one of the sides.

Remove the screws (C) from the underside of the plastic fitting. Hereby the plastic fitting (D) is loosened and the lower bar can be dismantled.

2) Mount the curved/straight bar (E) into both of the plastic fittings (D), push into position and remount the screws (C) again.

3) Remount the bushing and the screw (A) along with the screw and the washer (B) again.

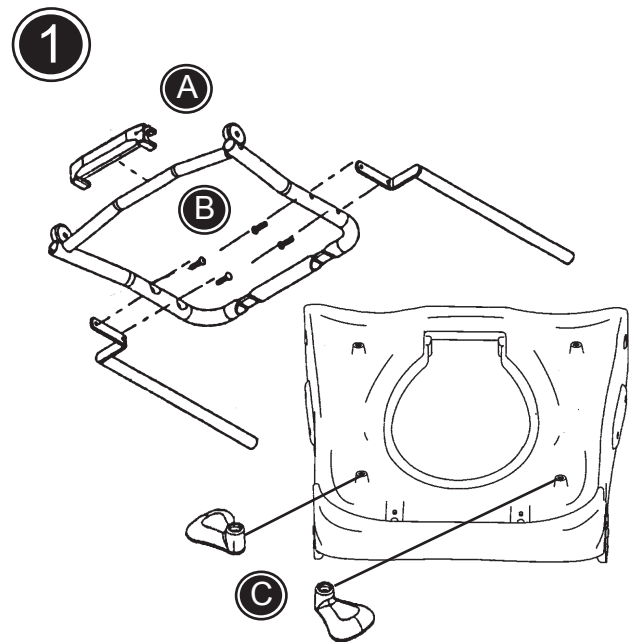
 Make sure that the screws and bushings are tightened safely.

GB MOUNTING THE SEAT ON A TOILET

To be able to mount the Flamingo seat on a standard toilet, an extra fitting must be ordered and the following instructions must be followed:

1) Making the seat ready:

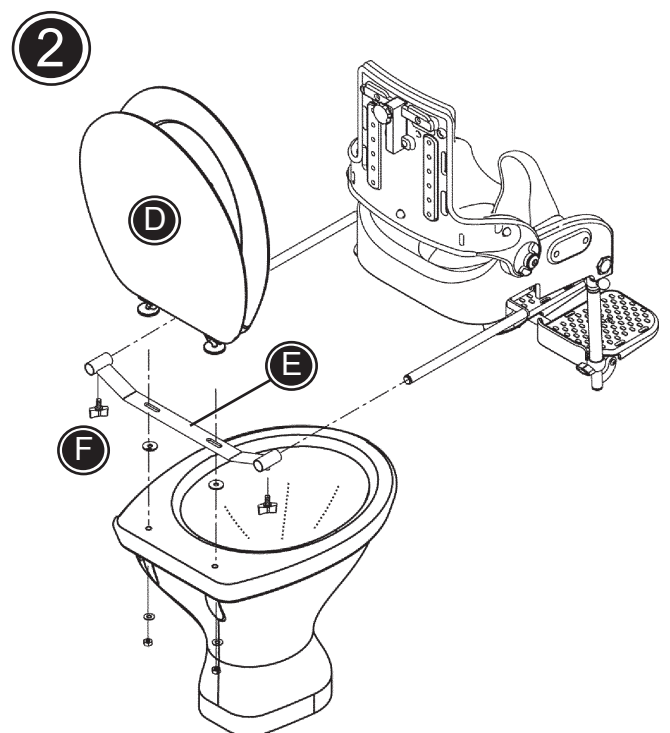
- * Dismount the seat (see page 15)
- * Remove the mounting for commode pan, if any.
- * Place the new seatframe underneath the seat.
- * Place the support-fitting (A) in front of the seatframe, as the seatframe is pushed into place. Fasten with the screws on both sides.
- * Mount the mounting-bars (B) on the seatframe with the enclosed screws.
- * The two support fittings (C) must be mounted underneath the seat, in the holes in the back.



2) Making the toilet ready:

- * Remove the toiletseat (D)
- * Place the mounting (E) and fasten together with the toiletseat as shown.

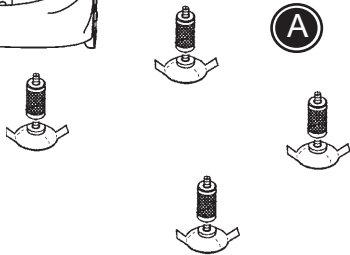
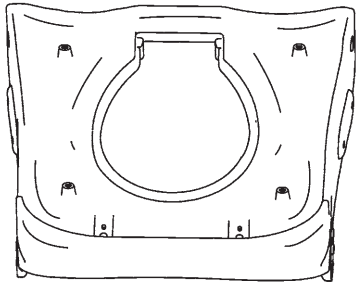
Finally mount the Flamingo seat on the toilet by leading the mounting-bars into the mounting. Fasten with the screws on both sides (F).



**G
B**

1

GB FLAMINGO AS BATHING SEAT



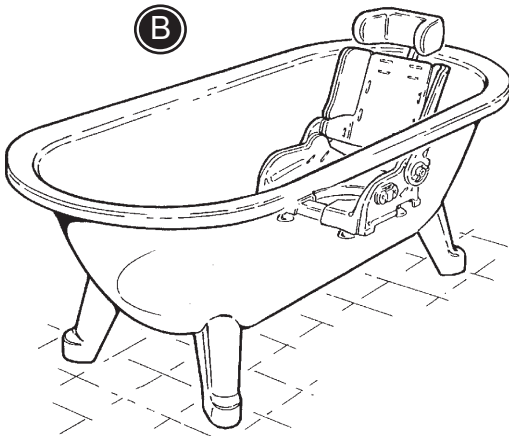
With suction cups mounted underneath the seat, the Flamingo is easy to mount in the bathtub.


- * Dismount the seat (see page 15)
- * Remove the mountings for commode pan, if any


- 1) Mount the four suction cups (A) below the seat
- 2) Place the Flamingo seat in the bath tub, with the back against the bath tub wall, see drawing (B)


Pour water into the bath tub, but stop when the water reaches the child's hip.

2



 Check the water temperature before placing the child, make sure it is not more than 37°.


 Always keep an eye on the child in the bath tub.

 Check, every 20 min., that the seat is still securely placed in the bath tub.

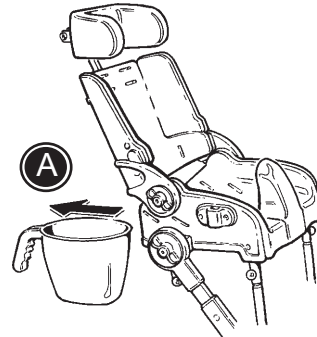
GB FOLDING THE FLAMINGO

The Flamingo is folded/unfolded very easily and is therefore easy to bring anywhere. To make the Flamingo take up as little room as possible, this correct sequence must be followed:

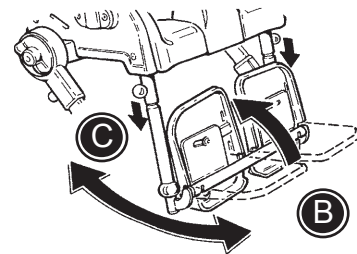
- 1) Dismount the commode pan, if any (A).
- 2) Tip the footplates into vertical position (B) and push the complete footrest unit up under the seat by pulling down the green security nuts (C).
- 3) Push the back forward. Remove the screws (D) at both sides and remove the seat from the frame.
- 4) Loosen the handles and the white security nuts (E) to angle the seat unit. Remove the screws (F) at the front of the frame and the Flamingo will be folded.

 Hold onto the seat unit when removing the screws (F) at the front of the frame.

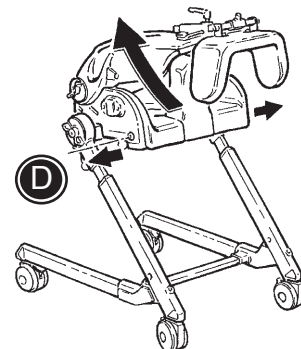
1



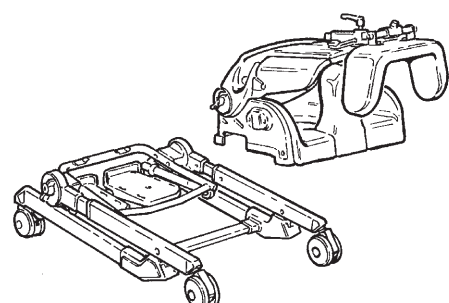
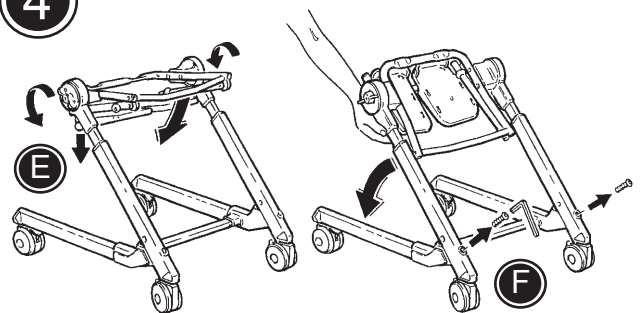
2

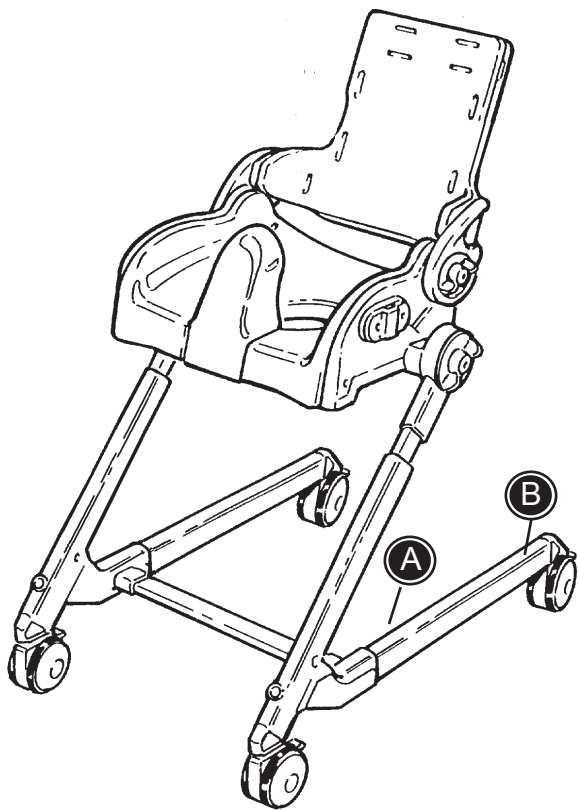


3



4





GB PRODUCT IDENTIFICATION

A) Serial number

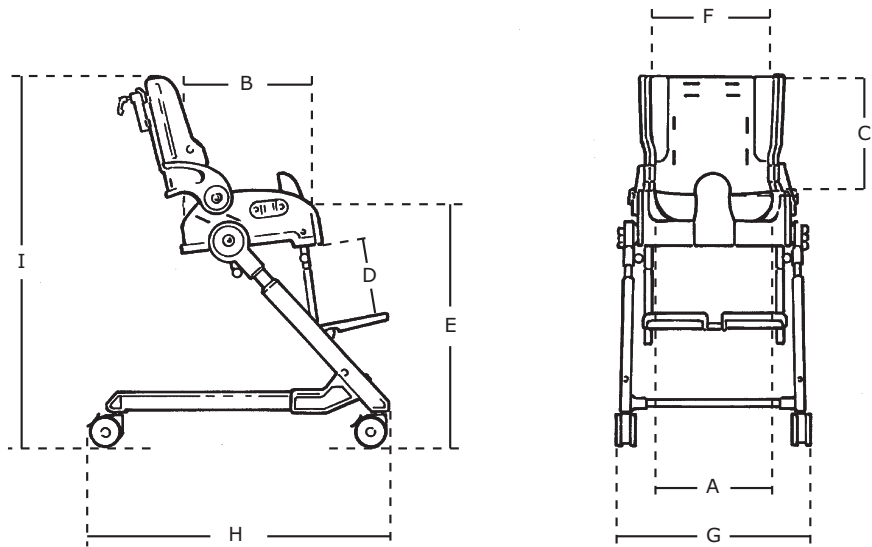
The label is placed on the inside of the frame just above left front wheel.

B) Manufacturer

The label is placed on the frame just above left rear wheel.

GB





GB MEASUREMENTS

	Size 1 cm (inch)	Size 2 cm (inch)	Size 3 cm (inch)	Size 4 cm (inch)
Seat width at hips (A)	25 (10")	27 (11")	31 (12½")	33 (13")
Seat width at front (A)	28 (11")	31 (12¼")	36 (14")	42 (16½")
Seat depth (B)	24 (19¼")	29 (11½")	34 (13¾")	40 (15½")
Back height (C)	36 (14")	38 (14¾")	41 (16")	47 (18½")
Lower leg length (D)	18-26 (7-10")	25-35 (9¾-13½")	30-40 (11¾-15½")	29-43 (11¼-16¾")
Seat height (E)	50-60 (19½-23½")	50-60 (19½-23½")	50-60 (19½-23½")	50-60 (19½-23½")
Shoulder width (F)	30 (12")	32 (12½")	38 (15")	40 (15½")
Width, frame (G)	44 (17")	46 (18")	50 (19¼")	54 (21")
Length, frame (H)	66 (26")	66 (26")	66 (26")	66 (26")
Height, frame w/seat (I)	86 (33½")	89 (35")	93 (36½")	95 (37")
Seat height, folded	24 (9")	26 (10")	27 (10½")	27 (10½")
Seat length, folded	37 (14½")	40 (15½")	43 (17")	46 (18½")
Frame height, folded	20 (8")	20 (8")	20 (8")	20 (8")
Frame length, folded	74 (29")	74 (29")	74 (29")	74 (29")
Weight	11 kg (24 lb)	13 kg (29 lb)	14 kg (31 lb)	15 kg (33 lb)
Max load/user weight	35 kg (77 lb)	50 kg (110 lb)	60 kg (132 lb)	70 kg (154 lb)
Angles	Seat	-15°-+35°	Back	-25°-90°
	Footrest bar	90°-60°		

GB TECHNICAL DATA

Seat: ABS
Upholstery: PUR (polyurethane)
Frame: Powder lacquered aluminium and stainless steel

GB PRODUCER

R82 A/S
Parallelvej 3
8751 Gedved
Denmark

GB DISTRIBUTOR



Please find your distributor on www.R82.com

GB CARE AND MAINTENANCE

FRAME

Fasten all screws underneath the chair on a regular basis, especially when the chair has been changed from one width to another. Further, it is important to keep the wheelchair clean, both for your own comfort and the longevity of the chair. If the chair has been used in water containing chlorine, it should be washed down using clean water and dried with a damp cloth. Make sure that all water has been removed from the frame each time you use the bath chair. Wash the chair with car shampoo or washing-up liquid. Do not use any cleaning materials containing chlorine or methylated spirit. Use a concentrate of acetic acid if calcareous deposits turn into a problem. Rinse out 10-15 minutes with clean water.

WHEELS

Clean the wheels of hair and dirt when needed.

INSPECTION

It is important to fasten all screws on the chair on a regular basis. All screws which secure the accessories have to be checked, at least once a month. Further, it is important to be aware of any indications of beginning faults on the frame, PVC parts and the like.

REPAIR

If there is a fault on your chair you should contact your dealer at once. Defective chairs should not be used. If your chair needs reconditioning or repair, only original R82 parts must be used. Accessories or available spare parts which are broken can be forwarded to R82 for repair. If fault in the fundamental parts, the chair needs to be returned to R82 for repair. R82 will not be held responsible for damage or injury caused by use of non-original parts or repairs made by a non-authorized R82 person.

G
B

GB TROUBLESHOOTING

<u>Problem*</u>	<u>Solution</u>
The height adjustment is not properly in place.	Make sure that the screw hole is aligned with a hole on the inner frame.
The green safety bearings are not in place.	Gently tilt the seat/footrest backwards and forwards until the safety bearings snap into place.
The back/seat are askew.	Make sure that the grips on either side of the chair are tightened.

* The user may experience several of these problems in the chair that is incorrectly adjusted or is being incorrectly used.

