

Etac Tripp Tilt

A perfect size for children, teenagers and slender adults.



The arm supports can be folded up and are lockable in the folded down position.

A smooth chair with many functions

Tripp is a shower commode chair with the tilt mechanism on the left side. Tilting from the side enhances an ergonomically correct work position and enables eye contact during the tilting process.

The size of Tripp makes it the perfect shower commode chair for children, teenagers and slender adults. Furthermore, both seat and back support can easily be removed. This enables fitting of an individual seat unit.

Various Accessories

Tripp can be fitted with head support, positioning belt, pan and various kinds of soft pads to suit different needs. The removable splash guard and pan holder are included as standard.

Description

Tripp Tilt
Standard: Height adjustable, flip-up foot supports, pan holder and splash guard

80209005

Material

Chassis: Powder-painted steel tubing
Seat/back support: ABS plastic
Arm supports: Polyurethane
Foot supports: Polypropylene
Arm supports tubing and foot support bracket: Stainless steel
Castors, mounted in ball bearings,
2 lockable: Galvanized steel/rubber

Weight

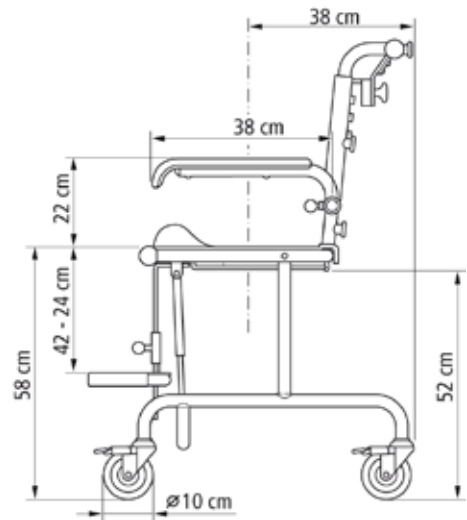
17 kg (37.5 lbs)

Design

Designkonsulterna



Clean the product with a solvent-free cleaning agent (pH level 6–9), or with a 70% disinfectant solution. Can be decontaminated at max. 85°C / 185°F if so required.



Additional dimensions

Total width: 54.5 cm (21½")
 Width between arm supports: 36 cm (14¼")
 Seat width: 38 cm (15")

Accessories



Head support
 80209041
 Height-adjustable.
 Material: Polyurethane



Positioning belt
 80209034
 Can be fitted horizontally or diagonally.
 Adjustable in length.
 Material: Polyester



Pan
 80209031
 Designed for a perfect fit to the seat.
 Material: ABS



Soft pad
 80209047
 Heat-reflecting with good anti-slip properties.
 Material: Cellular polyethylene



Pan locker
 80209049
 Holds the pan in place when the shower chair is tilted.



Soft seat cushion
 80209066
 Material: Polyether, coated woven fabric



Crossbar, 50 cm
 80303035
 For strain and seat support.
 Material: Powder-painted aluminium profile/cellular polyethylene



Soft back pad
 80209046
 Heat-reflecting.
 Attach on standard back support.
 Material: polyethylene



Back cushion
 80209042
 Reduces the seat depth by 6 cm (2¼").
 Material: Polyether, coated woven fabric