

**!ATTENTION: READ BEFORE ASSEMBLING/OPERATING!**

**ASSEMBLY INSTRUCTIONS FOR THE MULTICHAIR 4000Tilt series**



**multichair 4000Tilt**



**multichair 4200Tilt**



**multichair 4000Tilt P1**



**multichair 4000Tilt P2**

**!ATTENTION: READ BEFORE ASSEMBLING/OPERATING!**

# ASSEMBLY INSTRUCTIONS

## !ATTENTION: PLEASE READ!

Please see LIMITED WARRANTY of these instructions. If the warranty is not acceptable, contact Nuprodx, Inc. for information about returning the chair for a refund (Restocking fees and shipping charges will be applied). This chair is designed and intended for indoor shower and bathroom use. It is not designed for outdoor use and will void the warranty if used in this fashion. If thresholds, shower curbs or barriers are encountered that exceed ½" in height, the area in question should be brought within the code for disabled accessibility.

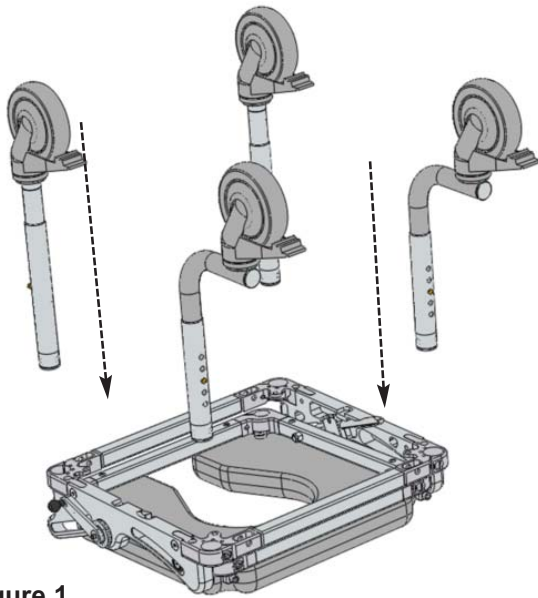


Figure 1

**A** The multiCHAIR 4000Tilt, 4200Tilt, 4000Tilt P1 and 4000Tilt P2 all include the tilt system, seat frame & cushion, backrest assembly, fold-back arms, legs and footrests

**B** Unpack all parts from the shipping carton. Remove all tape and/or packing from the chair. Keep shipping materials for future use. Note the location of padding materials and sheet plastic which protects parts of your chair.

**C** Position the rear bent legs so that they point out at a 90-degree angle. Make sure that the legs slide "home" into the socket of the seat frame. Use the included yellow T-handle Allen wrench to securely tighten the bolts located at the corners of the frame (Refer to Figure 1)

**D** Turn the chair right side up and install the backrest assembly. Slide the two backposts into the back of the seat frame and tighten the two socket head cap screws using yellow T-handle Allen wrench (Refer to Figure 2).

**E** The footrests drop into the front corners of the tilt frame. Tighten the two socket head cap screws using yellow T-handle Allen wrench (Refer to Figure 2).

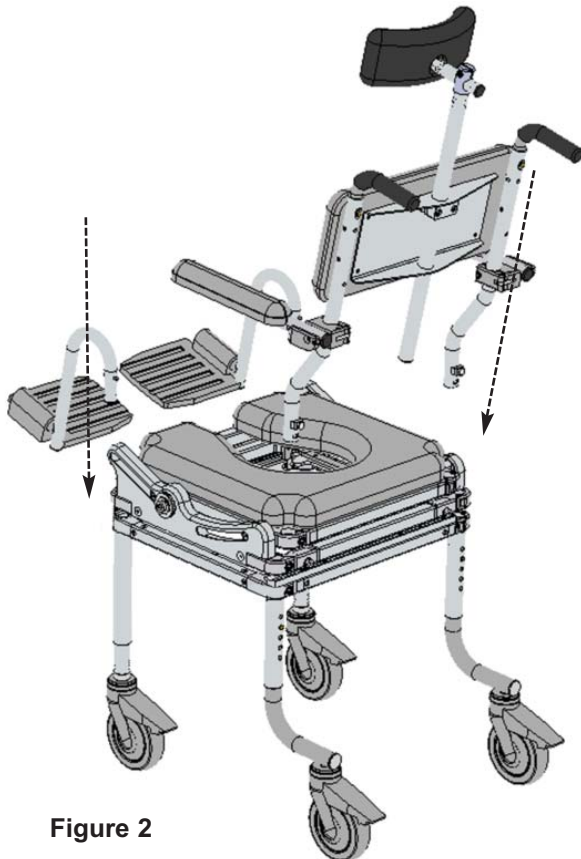


Figure 2

### SAFETY PRECAUTION!

If any of the legs are not fitted correctly into the socket of the seat frame or are not securely tightened there is an extreme risk of the legs dislodging completely from the chair. This could cause serious injury or even death!

### SAFETY PRECAUTION!

Both backrest posts must be completely engaged with the seat frame and securely tightened. If they are not fitted correctly, there is a risk of the posts dislodging from the seat frame. This could cause serious injury or even death!

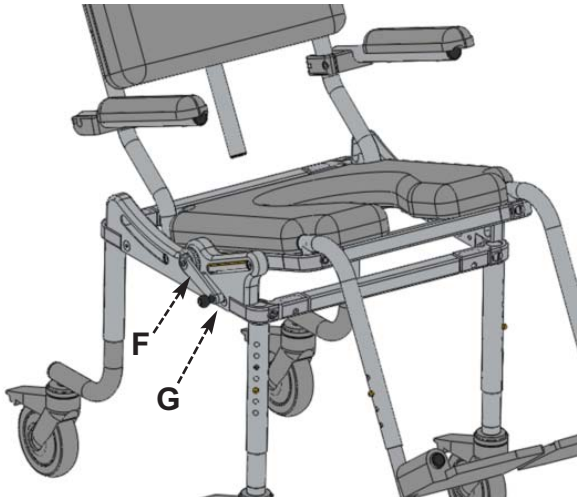


Figure 3

**F** The tilt mechanism is operated by pulling the spring loaded crank lever outwards and rotating the handle. Once the tilt angle is reached, we recommend either having the unit at its highest/largest tilt angle or flat, slowly release the spring loaded lever and it will automatically lock itself into one of the indexing holes on the indexing disk (Refer to Figure 3)

**G** Index the handle by first positioning the seat in the horizontal position. The end of the crank handle should be approximately over the flat head socket bolt on the frame.

**H** Adjustments to the "Tilt Assembly" need to be made as follows: Remove the "crank handle" by removing the socket screw with an 1/8" Allen wrench. Remove the cap from the opposite side of the frame, again using an 1/8" Allen wrench, and install it on this side. Reinstall the crank handle on the opposite side of the frame (Refer to Figure 4)

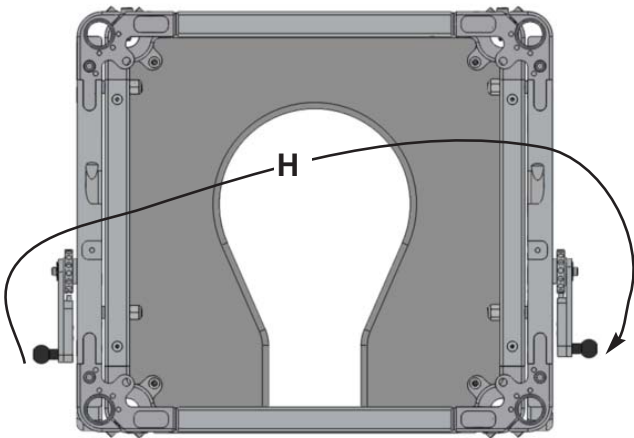


Figure 4

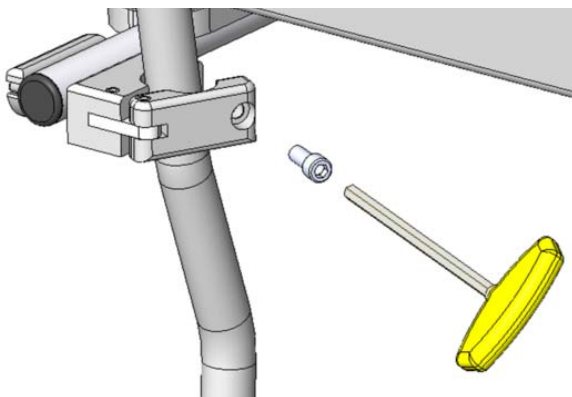


Figure 5

**I Seat Cushion Orientation:** The standard seat cushion orientation is with the commode opening in the front of the multiCHAIR. If desired, the commode opening can also be orientated left/right/rear. This can be accomplished by unscrewing the four button head cap screws that attach the cushion to the frame, orientating the commode opening to the desired location and then re-attaching the cushion to the frame with the four screws using the 5/32" Allen wrench

**J Cantilever Arms:** If desired, the cantilever arms can be removed from the backrest assembly for storage during traveling. This can be accomplished by unscrewing the socket head cap screws that attach the arms to the backrest posts using the 5/32" Allen wrench. Then remove the arm assemblies from the posts and re-insert the socket head cap screws into the arm assemblies, so they are not lost. To re-install the cantilever arms, simply follow the steps above in reverse (Refer to Figure 5).

# OPERATING INSTRUCTIONS

**A** Ensure all fasteners (bolts/washers) are securely tightened and all chair parts have been assembled correctly (Refer back to Assembly Instructions if needed. Contact Nuprodx, Inc. if unsure of anything).

**B Commode Chair:** Position the multiCHAIR over the toilet, so that the center of the commode opening is directly above the center of the toilet bowl. Adjust the height of the multiCHAIR accordingly by setting the position of the brass buttons on the four inner legs to the various adjustment holes on the outer legs. Then lock the caster wheels in place. Note: Make height adjustments to the multiCHAIR before the user has transferred onto it (Refer to Figure 10).

Figure 10



## SAFETY PRECAUTION!

Ensure that the height of each inner leg is set to make the multiCHAIR level. If this is not properly done, the multiCHAIR could tip to one side causing the user to fall. This could result in serious injury or even death!

**C Shower Chair:** Position the multiCHAIR inside the shower. Adjust the height of the multiCHAIR accordingly by setting the position of the brass buttons on the four inner legs to the various adjustment holes on the outer legs. Note: Make height adjustments to the multiCHAIR before the user has transferred onto it.

**D Cantilever Arms:** The cantilever arms can be adjusted to the desired height by completing the following steps: Loosen the socket head cap screws on the arm clamps, raise/lower the arms accordingly, then re-tighten the socket head cap screws (Refer to Figure 12). For safety purposes, the cantilever arms lock in the down position. To switch the arms to the up position, simply push the arms toward the back of the chair (releasing the locking mechanism) and lift up (Refer to Figure 13).

**E Footrest Assemblies:** Slide the footrest into the front corners of the tilt frame and tighten the pinch bolts. Slide up/down as required by the user's leg length (refer to Figure 14)

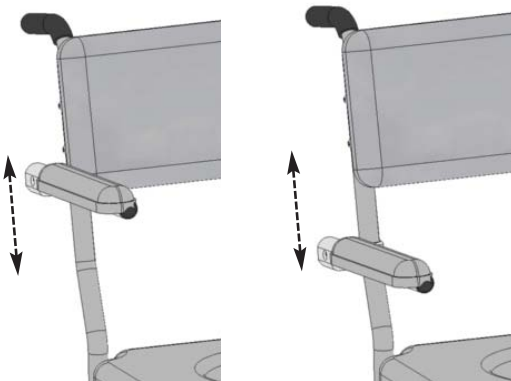


Figure 12

## SAFETY PRECAUTION!

The swing-away footrests should be installed into the footrest clamps after the user has been transferred into the chair. Putting an extreme amount of weight on the swing-away footrests or using them as an assistive device when transferring can cause the entire chair to tip forward, resulting in serious injury or even death!

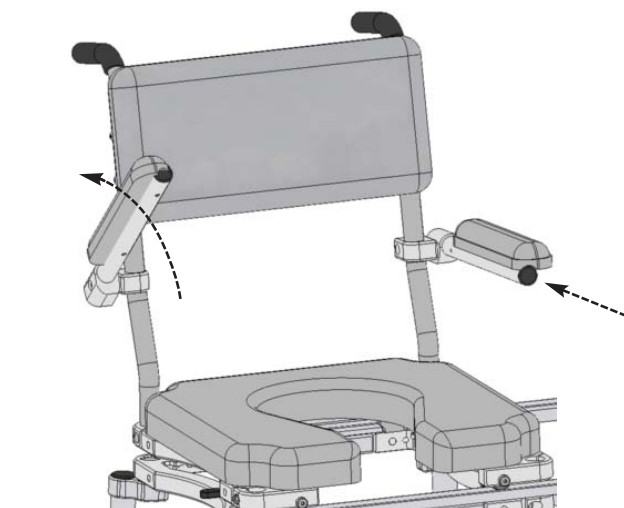


Figure 13

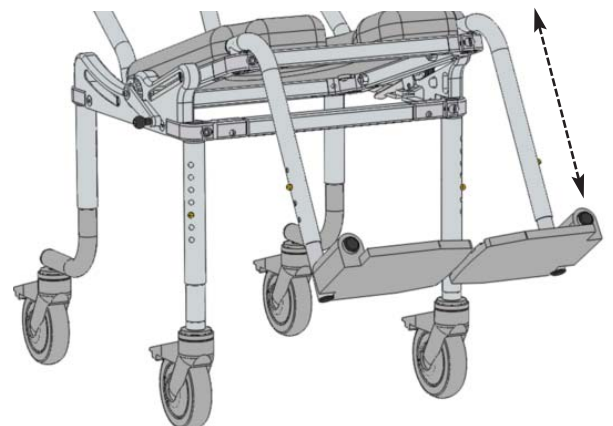
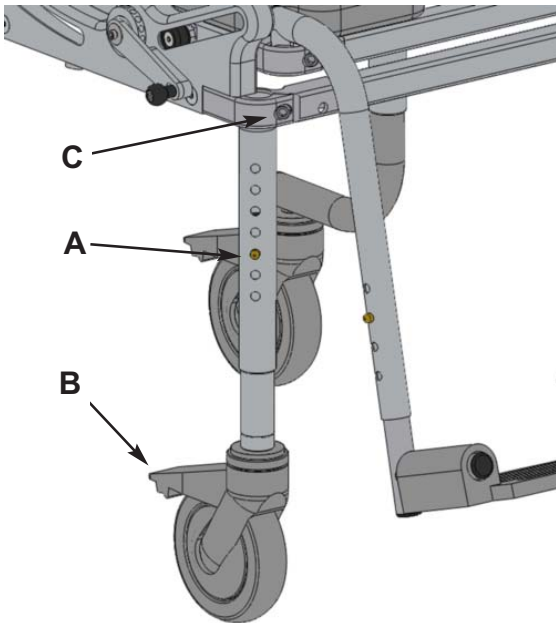


Figure 14

# ADDITIONAL SAFETY PRECAUTIONS

## !ATTENTION: PLEASE READ!

**WARNING!** Failure to account for the aforementioned and the following safety precautions can result in serious injury to the user or even death!



**A Leg Height Adjustment:** When making height adjustments to any of the legs, make sure that the brass buttons are fully engaged into the outer legs. If pushed too hard the button could become stuck inside the inner leg (Contact Nuprodx, Inc. if this occurs). Leg height adjustment should only be made before transferring the user into the chair (Refer to Figure 14)

**B Caster Wheels:** Before transferring into and out of the chair, all four castor wheels must be securely planted onto the floor and switched to the locked position. Failure to do so could cause the chair to become unstable (Refer to Figure 14)

**C Fasteners:** Over time the screws and washers on the chair may become loose. It is very important that these are checked and securely tightened before each use. Failure to do so could cause a part to dislodge from the chair (Refer to Figure 14)

Figure 14

# LIMITED WARRANTY

**A WARRANTY ACTIVATION** Please read this warranty before operating or using your multiCHAIR. To activate the warranty on your multiCHAIR register it online ([www.nuprodx.com/form-registration/index.htm](http://www.nuprodx.com/form-registration/index.htm)) or contact us by phone. By operating or using the chair, you agree to the terms of this warranty.

**B WARRANTY:** Nuprodx, Inc. warrants this product against defects in material and workmanship as follows: There is a *10-Day conditional money-back warranty*. During this time period, the customer is permitted to try out the multiCHAIR, fully-clothed, keeping the chair in "like new" condition (NOTE: "Like new" condition, in terms of the multiCHAIR, is defined by Nuprodx, Inc. as no visible wear/usage/water marks for the multiCHAIR to be accepted and refunds issued when returned to Nuprodx, Inc.). If the customer decides that the multiCHAIR will not work for them, before the 10-Day period has passed and with the authorization of Nuprodx, the chair can be returned for a full refund minus a *10% restocking charge* (NOTE: The customer is responsible for both in-bound and out-bound freight). After the initial 10-Day period has passed, there is a *two-year limited warranty* for all parts of the chair, with the exception of the seat and back cushions. The seat and back cushions carry a *one year limited warranty*. The warranty does not cover normal "wear and tear" from everyday use of the product and custom parts/custom cushions are also excluded from the warranty and cannot be returned for a refund under any circumstances. Please see section E WARRANTY LIMITATION AND EXCLUSIONS for more info on warranty exclusions.

**C** The warranty period begins on the date you receive the chair. For warranty service, please contact Nuprodx, Inc. no later than one month following the applicable warranty term. The chair will be repaired or replaced at the discretion of Nuprodx, Inc. with no charges to you for parts and labor, provided you have proof of purchase and of purchase date.

**D DISCLAIMER:** Except for the above warranty, and the acknowledgement by Nuprodx, Inc. that the chair, as manufactured by it, is fit for the general purpose for which most persons acquire a chair of its kind, Nuprodx, Inc. provides that you accept the chair as is, without warranties, either express or implied. Nuprodx, Inc. makes no warranty of fitness for your particular purpose and no warranty of merchantability beyond that already stated. No warranties extend beyond the duration of the express warranty stated above.

**E WARRANTY LIMITATIONS AND EXCLUSIONS:** The only obligation of Nuprodx, Inc. is to provide the purchaser with free repair and replacement as described above. This exclusive warranty remedy will not have failed as long as Nuprodx, Inc. is willing and able to repair or replace as described, but if this remedy should be held to have failed, the only remaining warranty obligation of Nuprodx, Inc. shall be to refund the acts beyond the control of Nuprodx, Inc. The warranty does not cover normal "wear and tear" from everyday use of the product. Custom parts/custom cushions are not covered under the warranty.

**F** This warranty gives you specific legal rights, and you may have other rights that may vary from state to state.

**G** This warranty does not apply to problems arising from normal wear, improper operation, improper maintenance, improper storage or similar disclaimer of implied warranties, and some do not allow limitations on how long an implied warranty may last. Some do not allow exclusion or limitation of incidental or consequential damages. So the above limitations or exclusions may not apply to you.

**H RETURN INSTRUCTIONS** In the event that you need to return the Nuprodx multiCHAIR, please follow the instructions below:

- 1) Review the information contained in your warranty to see if this applies to you
- 2) Obtain a Return Authorization # from Nuprodx, Inc.
- 3) Re-package the entire chair and its contents in the original packaging and ship to the following address:

Nuprodx, Inc.  
c/o PNM Company  
Attn: RMA# xxxx  
2547 N. Business Park Ave.  
Fresno, CA 93727



4 Malone Lane, San Rafael, CA 94903

(415) 472-1699, (415) 492-1396 fax, (855) 220-5171 toll free, [info@nuprodx.com](mailto:info@nuprodx.com)